



PRODUCT DESCRIPTION

- Patented structure design, to achieve the side bending function of the stick LED
- MacAdam \leq 3step, monochrome or dual-color temperature optional
- Special high light transmittance flexible sleeve and flexible silicone sleeve are optional
- CLEAR FLEX TRINITY series is particularly suited for applications where S-shaped, circular, and special arcs are required.
- Maximum length of a single strip)

PRODUCT CODE RULES

CFT - ***/m - L* - * - * - I

SERIES NAME LED QTY/POWER/M LENGTH CCT LEAD CABLE INDOOR

"CFT"=CLEAR FLEX TRINITY

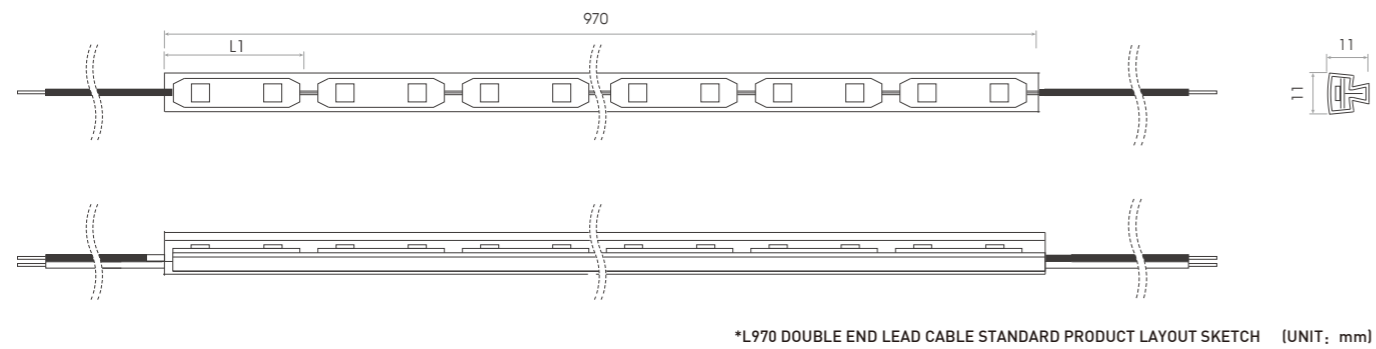
18K
24K
27K
30K
40K
50K
65K
75K
DUO

"DW"=DOUBLE WIRE
"SW"=SINGLE WIRE
"DC"=DOUBLE CONNECTOR
"SC"=SINGLE CONNECTOR



HOTEL | SHOPPING MALL | VILLA | CONFERENCE ROOM

PRODUCT LAYOUT SKETCH



PRODUCT PARAMETER

CLEAR FLEX TRINITY					
CODE	POWER	Lumen@3000k	Ra	CCT	CUTTING UNIT(L1)
CFT	16w/m	1300lm/m	>90	1800K/2400K/2700K/3000K4000K/ 5000K/6500K/7500K	40mm
CFT-Duo				2700/6500 (Duo color)	80mm(Duo color)

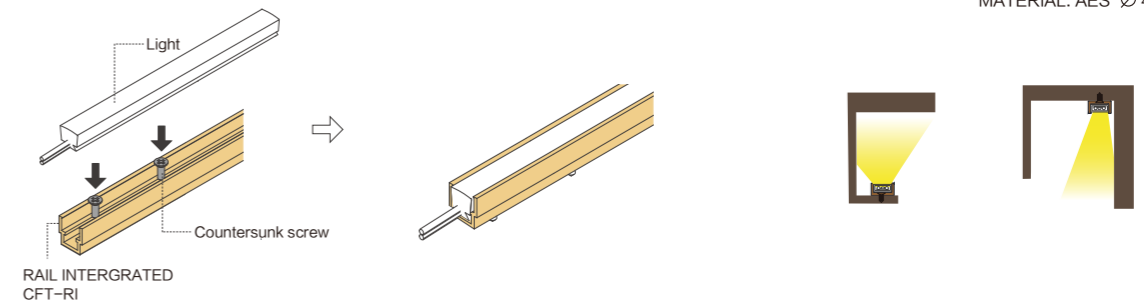
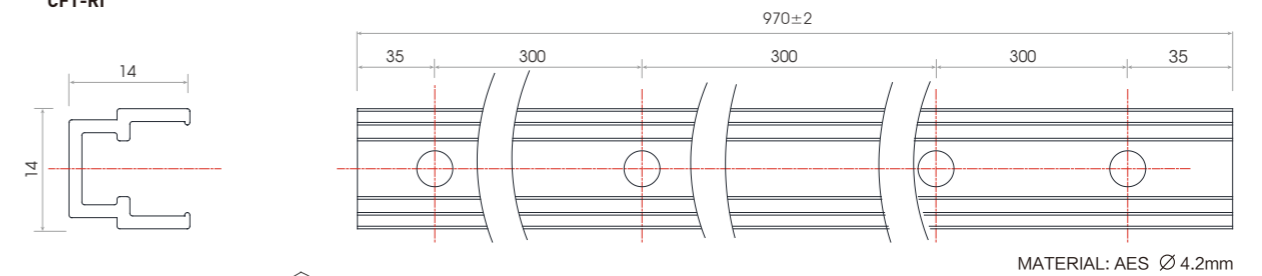
GENERAL PARAMETERS	
VOLTAGE	24V
POWER	--
OPERATING ENVIRONMENT	Indoor, Semi-outdoor (IP65)
OPERATING TEMPERATURE	-10~35°C
DIMMING METHOD	0-10V, DALI, DMX512(Requires external decoder)
MIN BENDING RADIUS	R=250mm
MAX CONNECTION	4m
INSTALLATION ACCESSORIES	① RAIL INTERGRATED CFT-RI ② BACK CLIP CFT-BC

Note: the luminous flux calculation method for different color temperatures: the luminous flux of 3000K is taken as the reference value, 2400K= reference value × 0.93, 2700K= reference value × 0.97; 4000K= reference value × 1.05; 5000K= base value × 1.08, 6500K= reference value × 1.1
-The maximum length of a single strip is 2m (1930mm)

INSTALLATION ACCESSORIES

(UNIT: MM)

① RAIL INTERGRATED CFT-RI



② BACK CLIP CFT-BC

